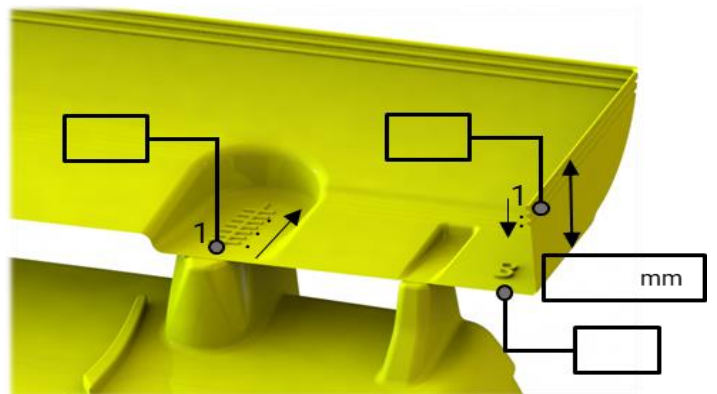
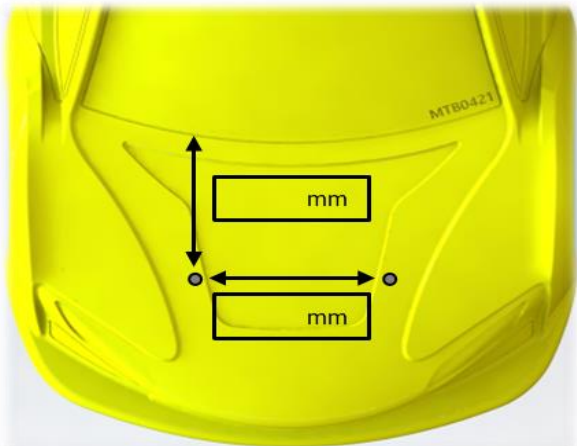
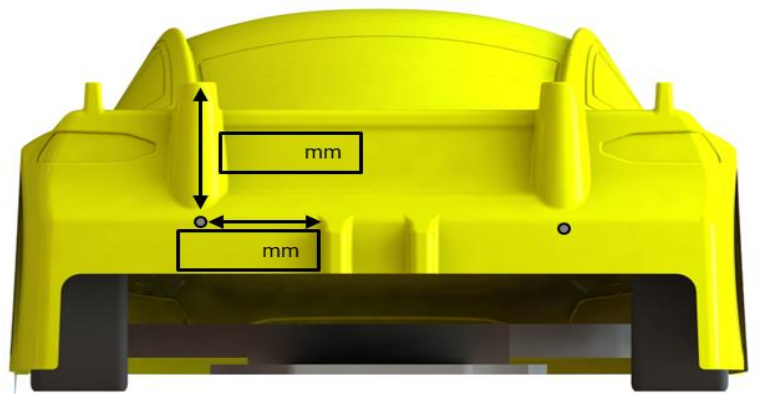
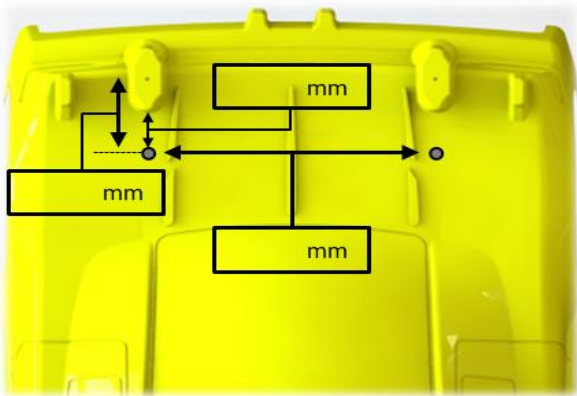
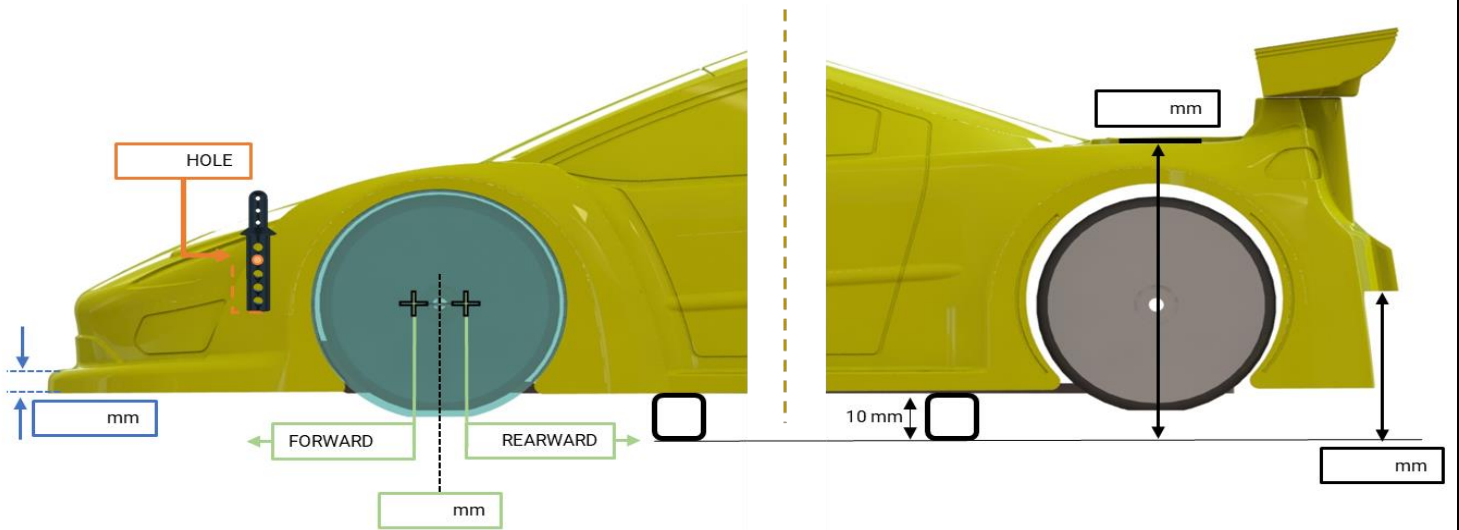


Date:	Track:		
Driver:	Asphalt	Moquette	
Event:	Indoor	Outdoor	
Car :	Slow	Medium	Fast

Xtreme Aerodynamics

Body: Thickness:



Notes:

Side Plate		
	YES	NO
CARBON	POLY	NO
OPEN	CLOSED	NO

